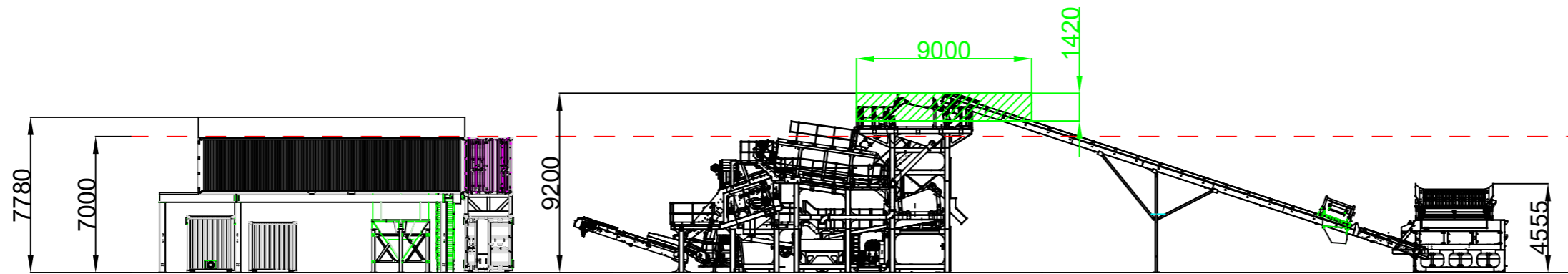
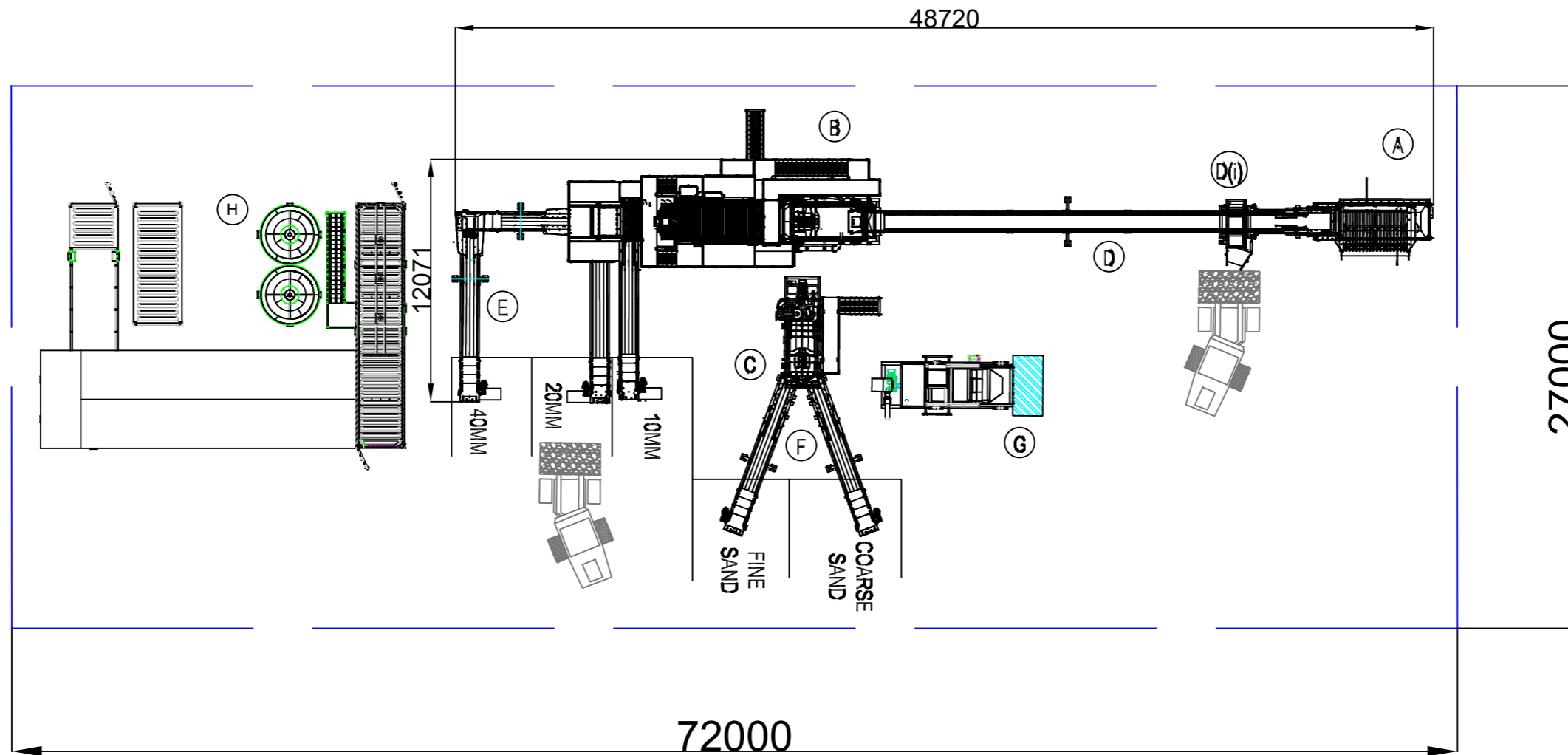


ITEM	DESCRIPTION
A	MODULAR FEED HOPPER WITH DDVG
B	AGGSTORM 80
C	COMPACT SAND PLANT-2 GRADE
D	MAIN FEED CONVEYOR
D (i)	OVERBAND MAGNET
E	8M AGGREGATE CONVEYORS - QTY 3NO
F	8M SAND CONVEYORS - QTY 2NO
G	WASTE WATER TRASH SCREEN
H	WATER TREATMENT PLANT WITH FILTER PRESS



Strictly Confidential

McCloskey
EQUIPMENT

McCloskey House, Hawksworth, Didcot, Oxfordshire, OX11 7HR
www.mccloskeyequipment.co.uk

CLIENT: WASHPLANT PROPOSAL 1

DATE: 24/04/20 DO NOT SCALE SHEET 1 OF 1

PROJECT: Layout Drawing DRAWING No: Romsey Final Layout

© THIS DOCUMENT IS THE COPYRIGHT OF McCLOSKEY EQUIPMENT LTD. IT MUST NOT BE LOANED, COPIED OR REPRODUCED.